

A

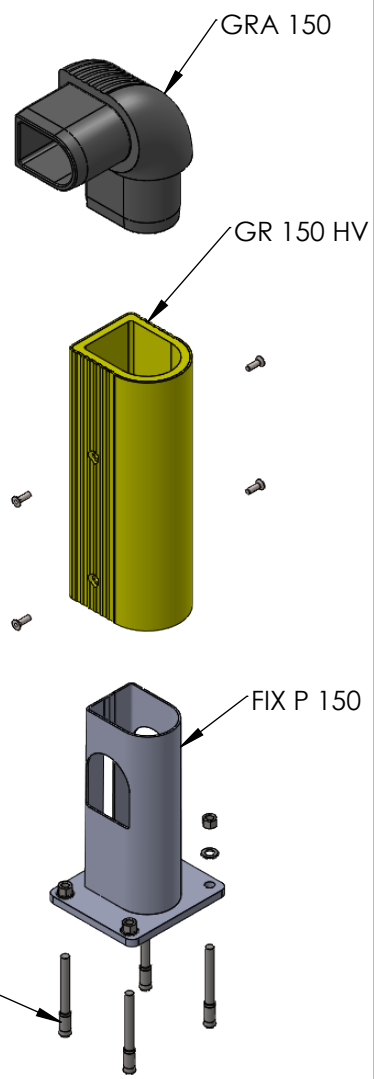
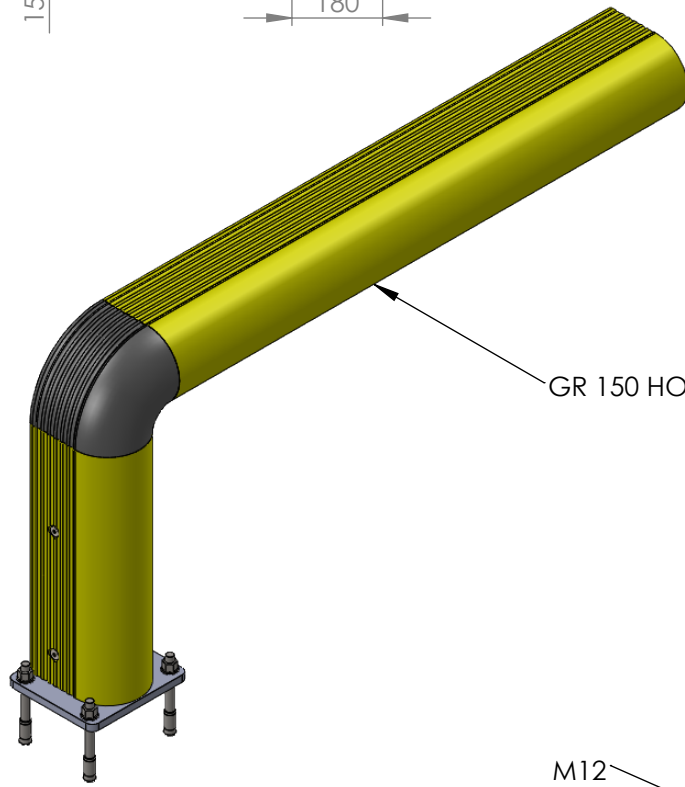
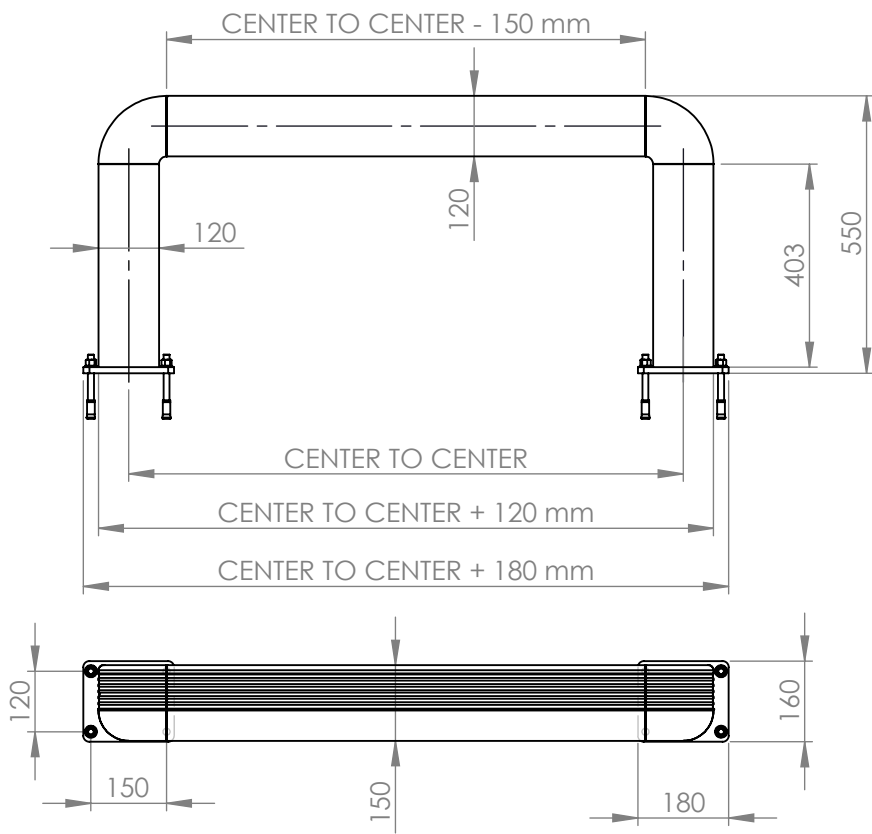
B

C

D

E

F



IMPACT RESISTANCE: 4455 J \*  
45° vehicle impact energy

\* The unit data is proved by tests, stored in dmr, on excellent conditions goods. Such tests cannot take note of particular situations, installation or bad maintenance.

Rev. n°. 00	Data 14/05/2018	Modifica: Prima emissione	Firma Fabio M.
	Materiale PVC	Q.tà _____	1° Controllo _____
	Scala 1:15	Denominazione	2° Controllo _____
		<b>FENCE 150</b>	Nr. Disegno _____