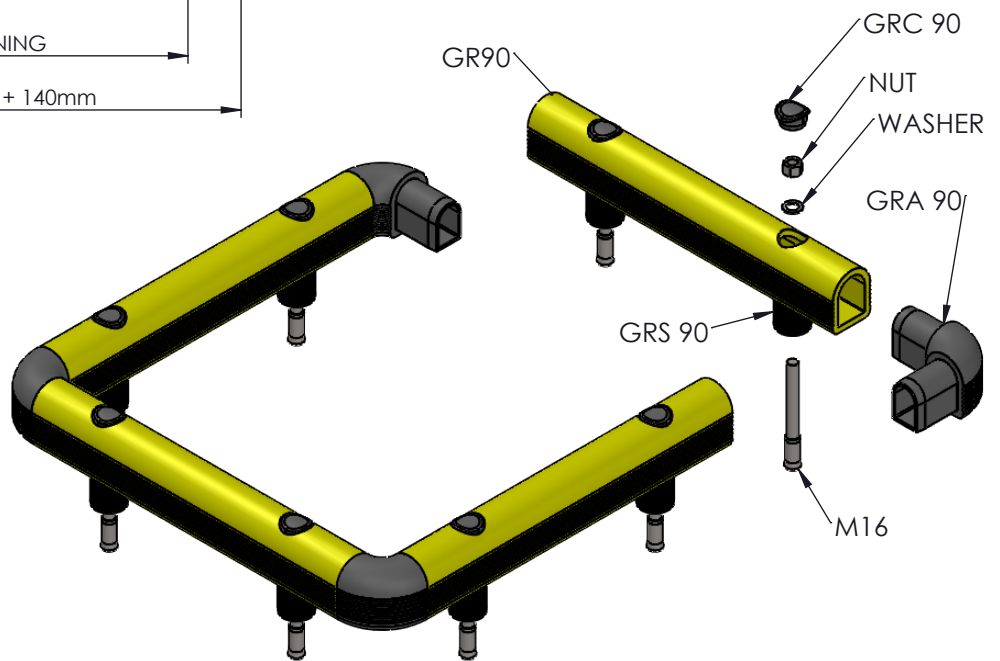
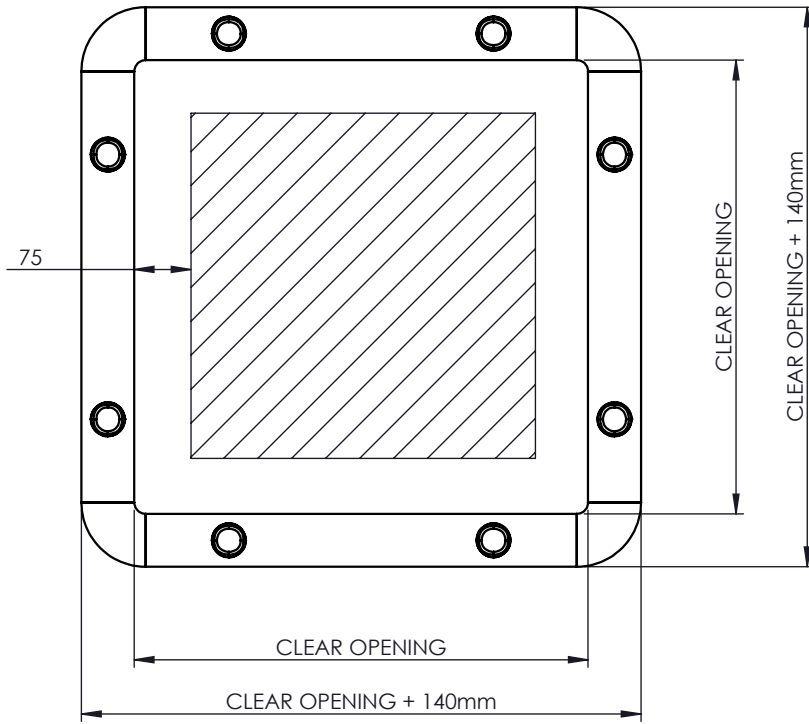
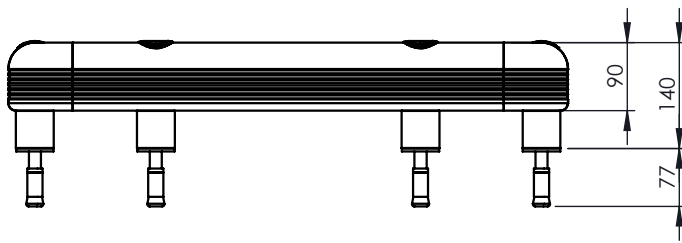


1

2

3

4



IMPACT RESISTANCE: 3395 J \*  
45° vehicle impact energy

\* The unit data is proved by tests, stored in dmr, on excellent conditions goods. Such tests cannot take note of particular situations, installation or bad maintenance.

Rev. n°. 00 | Data 30/05/2019 | Modifica: Prima emissione | Firma



Materiale PVC

Scala 1:10

Denominazione

COPRO 90



Q.tà

Nr. Disegno

1° Controllo

2° Controllo